

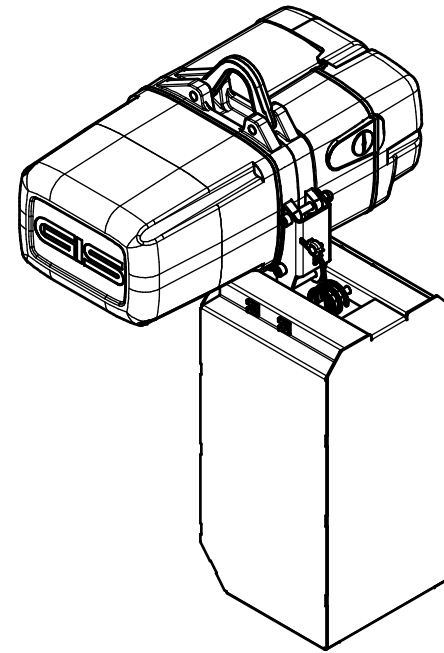
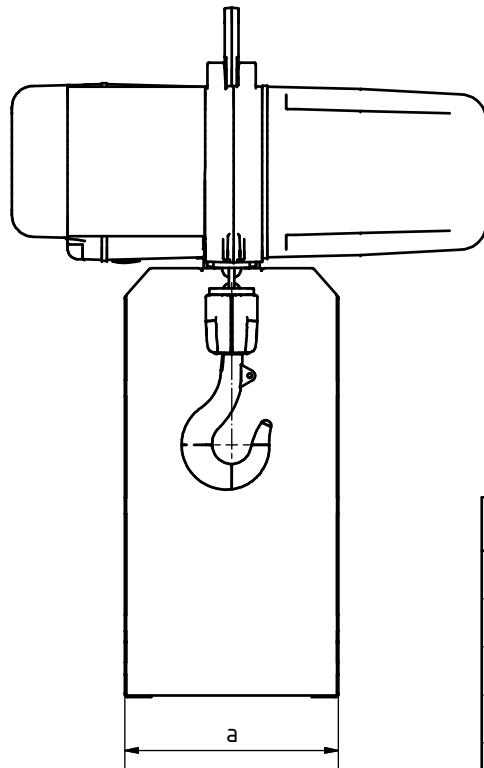
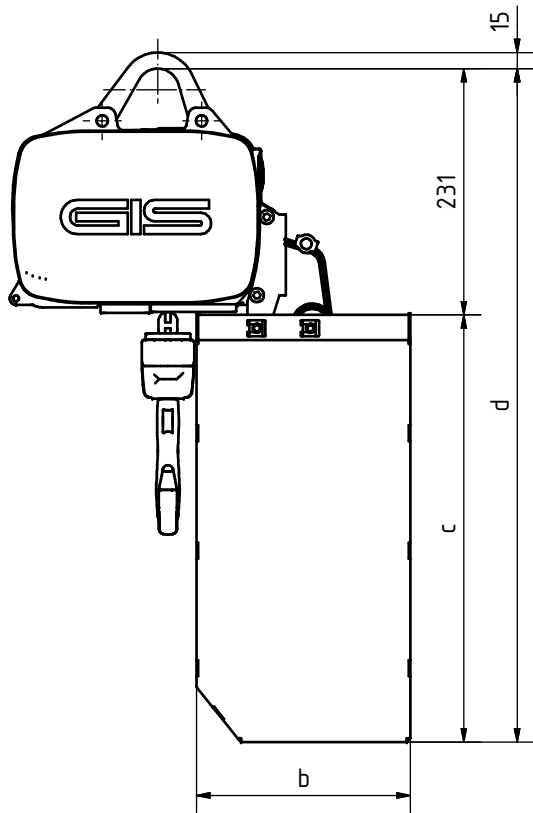
GIS Chain buckets for the electric chain hoists series GPM/GP

Edition 24.09.2020

Type	Chain	Capacity	Label	Art-No.	Material	Drawing-No.	Price	Remark
GPM 250	3.75 x 10.75	8 m	GPM250/8 KS	9500.3016.2	Plastic	9500.9201.5	Price list	
GPM 250	3.75 x 10.75	8 m	GPM250/8 T	9500.3081.3	Textile	9500.9202.5	Price list	guided pendulated 180°
GPM 250	3.75 x 10.75	18 m	GPM250/18 T	9500.3082.3	Textile	9500.9202.5	Price list	guided pendulated 180°
GPM 250	3.75 x 10.75	30 m	XS, GPM250/30 T	9500.3175.3	Textile	9511.9218.5	Price list	pendulated 180°
GPM 250	3.75 x 10.75	32 m	GPM250/32 T	9500.3140.3	Textile	9500.9202.5	Price list	guided pendulated 180°
GPM 250	3.75 x 10.75	60 m	S, GPM250/60 T	9500.3176.3	Textile	9511.9218.5	Price list	pendulated 180°
GPM 250	3.75 x 10.75	120 m	M, GPM250/120 T	9500.3177.3	Textile	9511.9218.5	Price list	pendulated 180°
GP 250	3.75 x 10.75	8 m	GP250/8 KS	9510.3016.1	Plastic	9510.9201.5	Price list	
GP 250	3.75 x 10.75	20 m	GP250/20	9510.3212.2	Steel	9511.9220.5	Overall price list	
GP 250	3.75 x 10.75	24 m	GP250/24 KS	9510.3019.1	Plastic	9510.9201.5	Price list	
GP 250	3.75 x 10.75	30 m	XS, GP250/30 T "BR"	9510.3141.4	Textile	9511.9260.5	Price list	
GP 250	3.75 x 10.75	40 m	XS, GP250/40 T	9510.3084.3	Textile	9511.9218.5	Price list	pendulated 180°
GP 250	3.75 x 10.75	40 m	GP250/40	9510.3232.2	Steel	9511.9220.5	Overall price list	
GP 250	3.75 x 10.75	60 m	S, GP250/60 T	9510.3085.3	Textile	9511.9218.5	Price list	pendulated 180°
GP 250	3.75 x 10.75	60 m	S, GP250/60 T "BR"	9510.3142.4	Textile	9511.9260.5	Price list	
GP 250	3.75 x 10.75	60 m	GP250/60	9510.3240.2	Steel	9511.9220.5	Overall price list	
GP 250	3.75 x 10.75	80 m	GP250/80	9510.3248.2	Steel	9511.9220.5	Overall price list	
GP 250	3.75 x 10.75	100 m	GP250/100	9510.3256.2	Steel	9511.9220.5	Overall price list	
GP 250	3.75 x 10.75	110 m	M, GP250/110 T	9510.3086.3	Textile	9511.9218.5	Price list	pendulated 180°
GP 250	3.75 x 10.75	120 m	M, GP250/120 T "BR"	9510.3143.4	Textile	9511.9260.5	Price list	
GP 250	3.75 x 10.75	120 m	GP250/120	9510.3264.2	Stahl	9511.9220.5	Overall price list	
GP 250	3.75 x 10.75	140 m	GP250/140	9510.3272.2	Steel	9511.9220.5	Overall price list	
GP 250	3.75 x 10.75	200 m	L, GP250/200 T	9510.3088.3	Textile	9511.9218.5	Price list	pendulated 180°
GP 250	3.75 x 10.75	200 m	L, GP250/200 T "BR"	9510.3144.4	Textile	9511.9260.5	Price list	
GP 500	5.25 x 15	6 m	GP500/6 KS	9510.3016.1	Kunststoff	9511.9201.5	Price list	
GP 500	5.25 x 15	10 m	GP500/10	9510.3212.2	Steel	9511.9220.5	Overall price list	
GP 500	5.25 x 15	12 m	GP500/12 KS	9510.3019.1	Kunststoff	9511.9201.5	Price list	
GP 500	5.25 x 15	20 m	XS, GP500/20 T	9510.3084.3	Textile	9511.9218.5	Price list	pendulated 180°
GP 500	5.25 x 15	20 m	XS, GP500/20 T "BR"	9510.3141.4	Textile	9511.9260.5	Price list	
GP 500	5.25 x 15	20 m	GP500/20	9510.3232.2	Steel	9511.9220.5	Overall price list	
GP 500	5.25 x 15	30 m	S, GP500/30 T	9510.3085.3	Textile	9511.9218.5	Price list	pendulated 180°

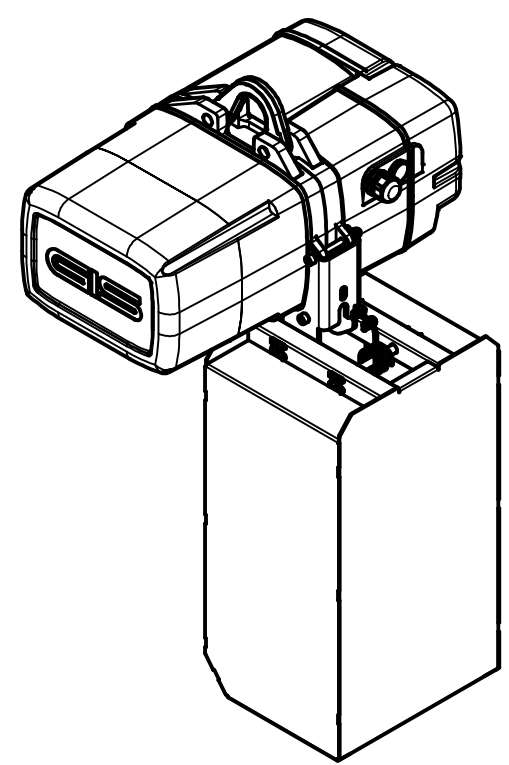
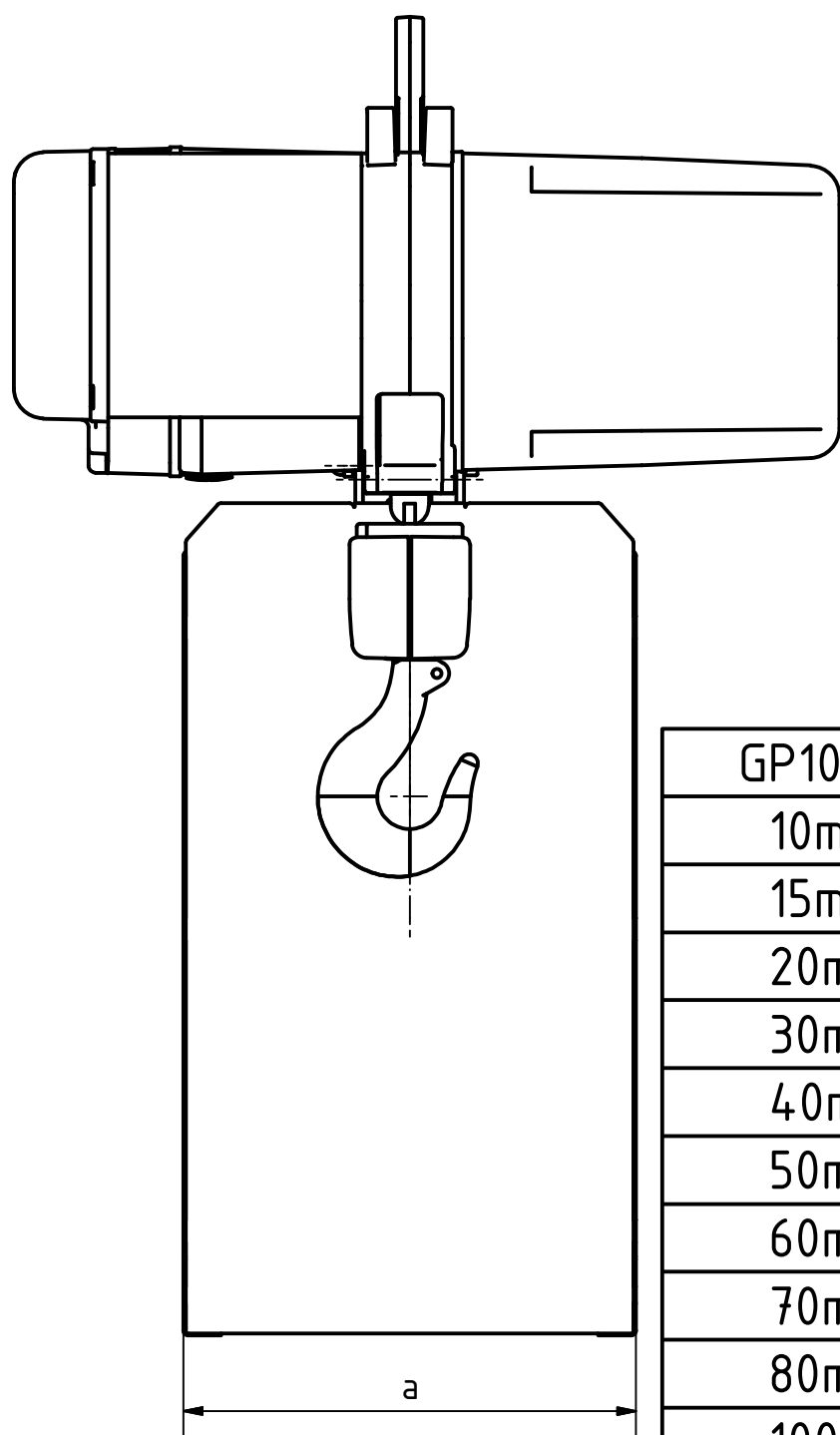
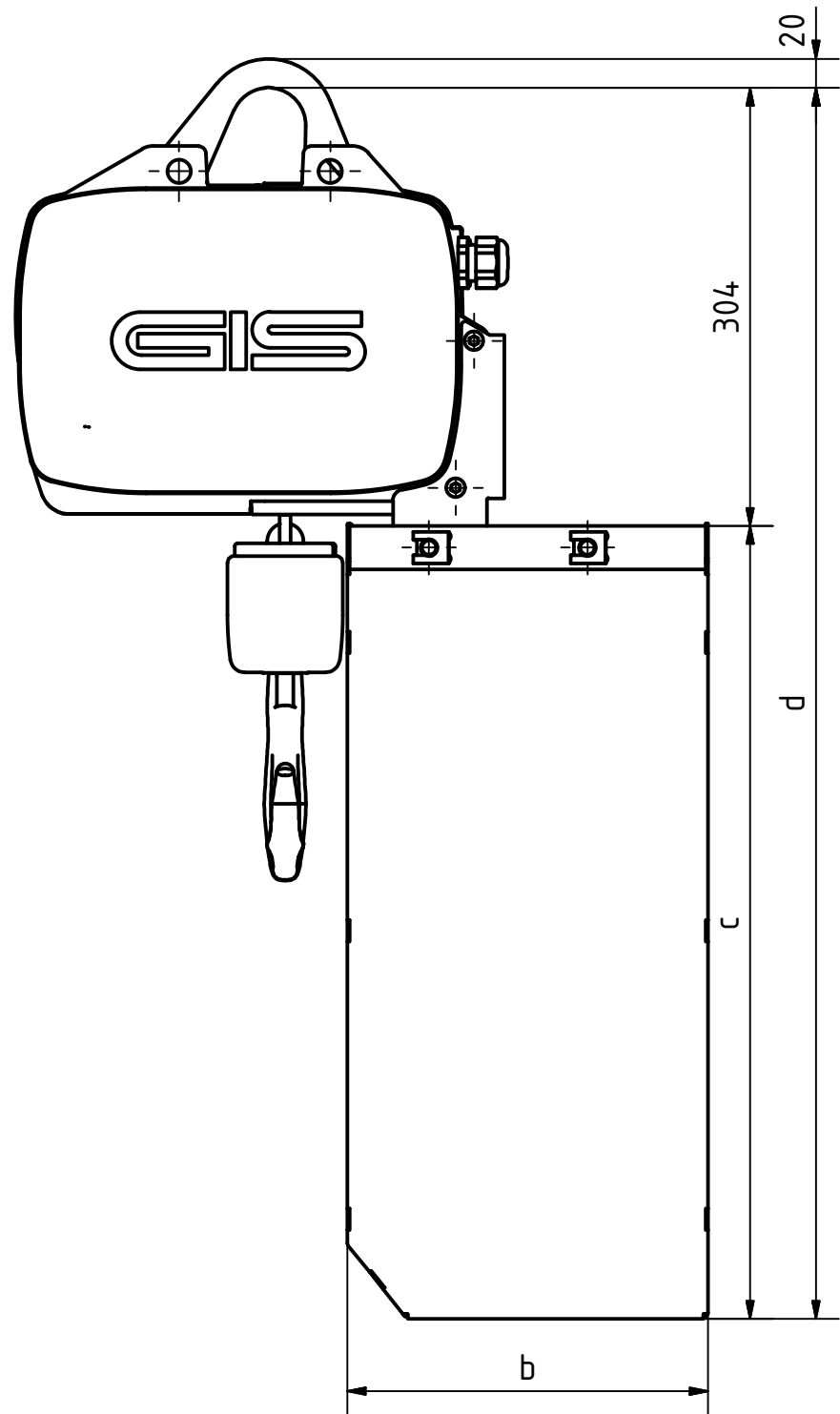
Type	Chain	Capacity	Label	Art-No.	Material	Drawing-No.	Price	Remark
GP 500	5.25 x 15	30 m	S, GP500/30 T "BR"	9510.3142.4	Textile	9511.9260.5	Price list	
GP 500	5.25 x 15	30 m	GP500/30	9510.3240.2	Steel	9511.9220.5	Overall price list	
GP 500	5.25 x 15	40 m	GP500/40	9510.3248.2	Steel	9511.9220.5	Overall price list	
GP 500	5.25 x 15	50 m	GP500/50	9510.3256.2	Steel	9511.9220.5	Overall price list	
GP 500	5.25 x 15	60 m	M, GP500/60 T	9510.3086.3	Textile	9511.9218.5	Price list	pendulated 180°
GP 500	5.25 x 15	60 m	M, GP500/60 T "BR"	9510.3143.4	Textile	9511.9260.5	Price list	
GP 500	5.25 x 15	60 m	GP500/60	9510.3264.2	Steel	9511.9220.5	Overall price list	
GP 500	5.25 x 15	70 m	GP500/70	9510.3272.2	Steel	9511.9220.5	Overall price list	
GP 500	5.25 x 15	80 m	GP500/80	9510.3280.2	Steel	9511.9220.5	Overall price list	
GP 500	5.25 x 15	100 m	L, GP500/100 T	9510.3088.3	Textile	9511.9218.5	Price list	pendulated 180°
GP 500	5.25 x 15	100 m	L, GP500/100 T "BR"	9510.3144.4	Textile	9511.9260.5	Price list	
GP 500	5.25 x 15	100 m	GP500/100	9510.3296.2	Steel	9511.9220.5	Overall price list	
GP 500	5.25 x 15	120 m	XL, GP500/120 T	9510.3087.3	Textile	9511.9218.5	Price list	pendulated 180°
GP 500	5.25 x 15	120 m	XL, GP500/120 T "BR"	9510.3145.4	Textile	9511.9260.5	Price list	
GP 500	5.25 x 15	120 m	GP500/120	9510.3312.2	Steel	9511.9220.5	Overall price list	
GP 1000	7.45 x 23	6 m	GP1000/6 KS	9515.3016.0	Kunststoff	9515.9201.5	Price list	
GP 1000	7.45 x 23	10 m	XS, GP1000/10 T	9515.3108.3	Textile	9511.9218.5	Price list	pendulated 180°
GP 1000	7.45 x 23	10 m	XS, GP1000/10 T "BR"	9515.3366.4	Textile	9511.9260.5	Price list	
GP 1000	7.45 x 23	10 m	GP1000/10	9515.3215.2	Steel	9515.9213.5	Overall price list	
GP 1000	7.45 x 23	15 m	GP1000/15	9515.3219.2	Steel	9515.9213.5	Overall price list	
GP 1000	7.45 x 23	20 m	S, GP1000/20 T	9515.3109.3	Textile	9511.9218.5	Price list	pendulated 180°
GP 1000	7.45 x 23	20 m	S, GP1000/20 T "BR"	9515.3367.4	Textile	9511.9260.5	Price list	
GP 1000	7.45 x 23	20 m	GP1000/20	9515.3223.2	Steel	9515.9213.5	Overall price list	
GP 1000	7.45 x 23	30 m	M, GP1000/30 T	9515.3110.3	Textile	9511.9218.5	Price list	pendulated 180°
GP 1000	7.45 x 23	30 m	M, GP1000/30 T "BR"	9515.3368.4	Textile	9511.9260.5	Price list	
GP 1000	7.45 x 23	30 m	GP1000/30	9515.3231.2	Steel	9515.9213.5	Overall price list	
GP 1000	7.45 x 23	40 m	GP1000/40	9515.3239.2	Steel	9515.9213.5	Overall price list	
GP 1000	7.45 x 23	50 m	L, GP1000/50 T	9515.3111.3	Textile	9511.9218.5	Price list	pendulated 180°
GP 1000	7.45 x 23	50 m	L, GP1000/50 T "BR"	9515.3369.4	Textile	9511.9260.5	Price list	
GP 1000	7.45 x 23	50 m	GP1000/50	9515.3247.2	Steel	9515.9213.5	Overall price list	
GP 1000	7.45 x 23	55 m	XL, GP1000/55 T	9515.3112.3	Textile	9511.9218.5	Price list	pendulated 180°
GP 1000	7.45 x 23	55 m	XL, GP1000/55 T "BR"	9515.3370.4	Textile	9511.9260.5	Price list	
GP 1000	7.45 x 23	60 m	GP1000/60	9515.3255.2	Steel	9515.9213.5	Overall price list	

Type	Chain	Capacity	Label	Art-No.	Material	Drawing-No.	Price	Remark
GP 1000	7.45 x 23	70 m	GP1000/70	9515.3263.2	Steel	9515.9213.5	Overall price list	
GP 1000	7.45 x 23	80 m	GP1000/80	9515.3271.2	Steel	9515.9213.5	Overall price list	
GP 1000	7.45 x 23	100 m	GP1000/100	9515.3287.2	Steel	9515.9213.5	Overall price list	
GP 1000	7.45 x 23	120 m	GP1000/120	9515.3303.2	Steel	9515.9213.5	Overall price list	
GP 1600	9.4 x 27.4	10 m	S, GP1600/10 T	9520.3109.3	Textile	9511.9218.5	Price list	pendulated 180°
GP 1600	9.4 x 27.4	10 m	GP1600/10	9520.3204.2	Steel	9520.9225.5	Overall price list	
GP 1600	9.4 x 27.4	15 m	GP1600/15	9520.3208.2	Steel	9520.9225.5	Overall price list	
GP 1600	9.4 x 27.4	16 m	M, GP1600/16 T	9520.3110.3	Textile	9511.9218.5	Price list	pendulated 180°
GP 1600	9.4 x 27.4	20 m	GP1600/20	9520.3212.2	Steel	9520.9225.5	Overall price list	
GP 1600	9.4 x 27.4	30 m	GP1600/30	9520.3220.2	Steel	9520.9225.5	Overall price list	
GP 1600	9.4 x 27.4	32 m	L, GP1600/32 T	9520.3111.3	Textile	9511.9218.5	Price list	pendulated 180°
GP 1600	9.4 x 27.4	35 m	XL, GP1600/35 T	9520.3112.3	Textile	9511.9218.5	Price list	pendulated 180°
GP 1600	9.4 x 27.4	40 m	GP1600/40	9520.3228.2	Steel	9520.9225.5	Overall price list	
GP 1600	9.4 x 27.4	50 m	GP1600/50	9520.3236.2	Steel	9520.9225.5	Overall price list	
GP 1600	9.4 x 27.4	60 m	GP1600/60	9520.3244.2	Steel	9520.9225.5	Overall price list	
GP 1600	9.4 x 27.4	70 m	GP1600/70	9520.3252.2	Steel	9520.9225.5	Overall price list	
GP 1600	9.4 x 27.4	80 m	GP1600/80	9520.3260.2	Steel	9520.9225.5	Overall price list	
GP 1600	9.4 x 27.4	90 m	GP1600/90	9520.3268.2	Steel	9520.9225.5	Overall price list	
GP 2500	11.75 x 32.9	6 m	S, GP2500/6 T	9520.3109.3	Textile	9511.9218.5	Price list	pendulated 180°
GP 2500	11.75 x 32.9	6 m	GP2500/6	9520.3204.2	Steel	9520.9225.5	Overall price list	
GP 2500	11.75 x 32.9	9 m	GP2500/9	9520.3208.2	Steel	9520.9225.5	Overall price list	
GP 2500	11.75 x 32.9	12 m	M, GP2500/12 T	9520.3110.3	Textile	9511.9218.5	Price list	pendulated 180°
GP 2500	11.75 x 32.9	12 m	GP2500/12	9520.3212.2	Steel	9520.9225.5	Overall price list	
GP 2500	11.75 x 32.9	17 m	GP2500/17	9520.3220.2	Steel	9520.9225.5	Overall price list	
GP 2500	11.75 x 32.9	23 m	GP2500/23	9520.3228.2	Steel	9520.9225.5	Overall price list	
GP 2500	11.75 x 32.9	26 m	L, GP2500/26 T	9520.3111.3	Textile	9511.9218.5	Price list	pendulated 180°
GP 2500	11.75 x 32.9	28 m	XL, GP2500/28 T	9520.3112.3	Textile	9511.9218.5	Price list	pendulated 180°
GP 2500	11.75 x 32.9	30 m	GP2500/30	9520.3236.2	Steel	9520.9225.5	Overall price list	
GP 2500	11.75 x 32.9	38 m	GP2500/38	9520.3244.2	Steel	9520.9225.5	Overall price list	
GP 2500	11.75 x 32.9	45 m	GP2500/45	9520.3252.2	Steel	9520.9225.5	Overall price list	
GP 2500	11.75 x 32.9	54 m	GP2500/54	9520.3260.2	Steel	9520.9225.5	Overall price list	
GP 2500	11.75 x 32.9	61 m	GP2500/61	9520.3268.2	Steel	9520.9225.5	Overall price list	




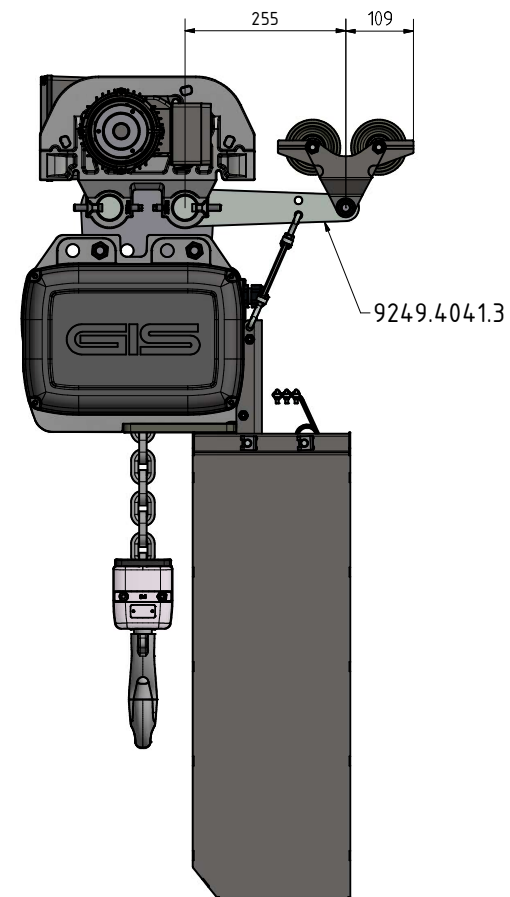
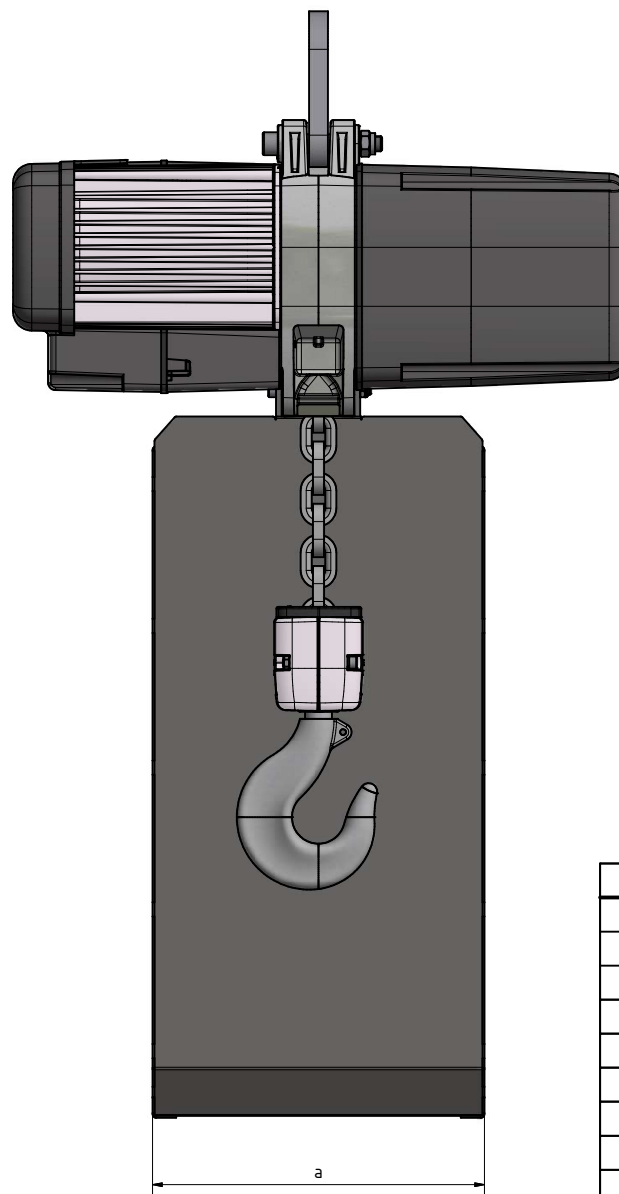
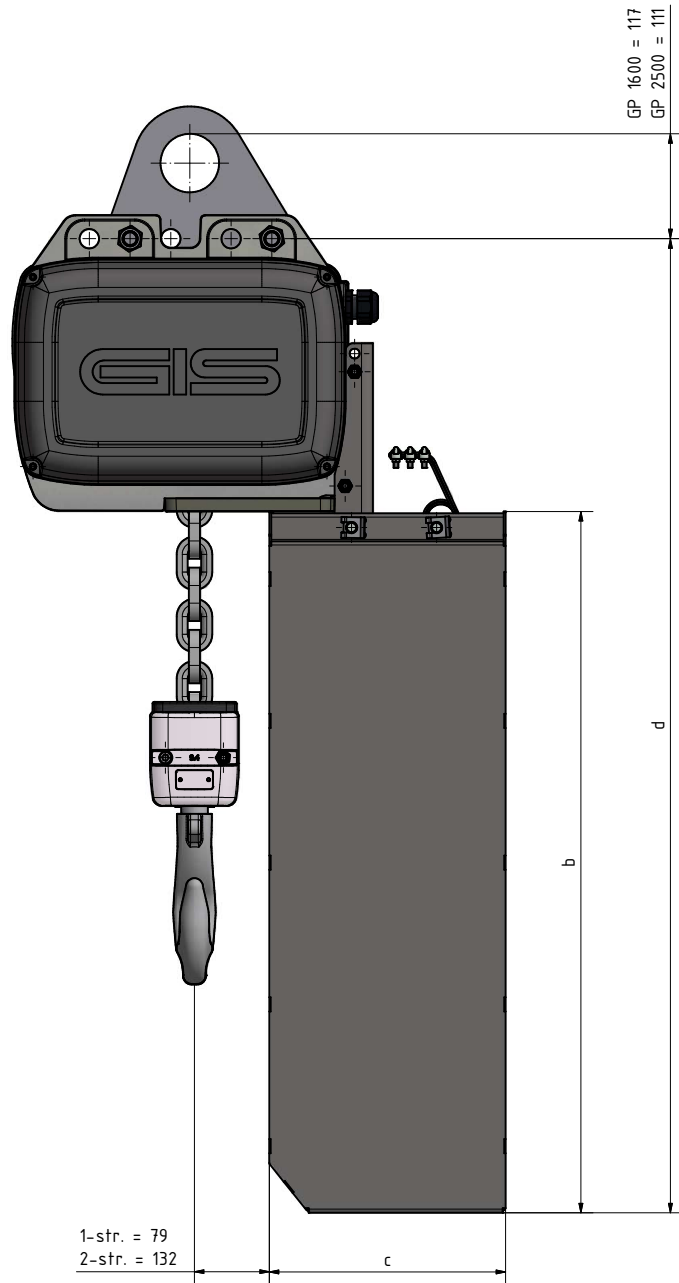
GP250/500	a	b	c	d	Nr.
20m/10m	200	150	256	487	9510.3212.2
40m/20m	200	200	376	607	9510.3232.2
60m/30m	200	200	435	666	9510.3240.2
80m/40m	200	200	505	736	9510.3248.2
100m/50m	200	200	575	806	9510.3256.2
120m/60m	200	200	645	876	9510.3264.2
140m/70m	200	200	715	946	9510.3272.2
-/80m	200	200	785	1016	9510.3280.2
-/100m	200	200	925	1156	9510.3296.2
-/120m	200	200	1065	1296	9510.3312.2

Freigegeben			Klasse B		Ersetzt durch		Ersatz für	
Rev.	Datum	User	Kettenmagazin;Chain bucket			Massstab		1 /
-	04.05.2017	P.ENGEL				1:5		
Gezeichnet	28.04.2017	C.Bisang	Massbild; Schematic draw			Revision		
 swiss lifting solutions						9511.9220.5		-



GP1000	a	b	c	d	Nr.
10m	300	250	350	654	9515.3215.2
15m	300	250	375	679	9515.3219.2
20m	300	250	400	704	9515.3223.2
30m	300	250	450	754	9515.3231.2
40m	300	250	550	854	9515.3239.2
50m	300	250	650	954	9515.3247.2
60m	300	250	750	1054	9515.3255.2
70m	300	250	850	1154	9515.3263.2
80m	300	250	950	1254	9515.3271.2
100m	300	250	1150	1454	9515.3287.2
120m	300	250	1350	1654	9515.3303.2

In Bearbeitung			Klasse B	Ersetzt durch	Ersetzt für
Rev.	Datum	User	Kettenmagazin;Chain bucket Massbild; Schematic draw; Liste de dim.	Massstab 1:5	1 / A3
A	01.05.2018	P.ENGEL			
Gezeichnet	18.04.2018	T.Keller			
 swiss lifting solutions				9515.9213.5	Revision A




1-str. = 79
2-str. = 132

GP 1600 = 117
GP 2500 = 111

GP 1600 mit Stahlkettenmagazin wird ein Hilfsfahrwerk ab 20m Kette empfohlen
 GP 1600 with chain container an auxiliary trolley is recommended from 20m of chain
 GP 2500 mit Stahlkettenmagazin wird ein Hilfsfahrwerk ab 12m Kette empfohlen
 GP 2500 with chain container an auxiliary trolley is recommended from 12m of chain

GP 1600/2500	a	b	c	d	Nr.
10m/6m	351	370	250	658	9520.3204.2
15m/9m	351	435	250	723	9520.3208.2
20m/12m	351	500	250	788	9520.3212.2
30m/17m	351	620	250	908	9520.3220.2
40m/23m	351	740	250	1028	9520.3228.2
50m/30m	351	860	250	1148	9520.3236.2
60m/38m	351	980	250	1268	9520.3244.2
70m/45m	351	1100	250	1388	9520.3252.2
80m/54m	351	1220	250	1508	9520.3260.2
90m/61m	351	1340	250	1648	9520.3268.2

Freigegeben			Klasse b	Ersetzt durch	Ersetzt für
Rev.	Datum	User	Kettenmagazin; Chain bucket GP1600/2500	Massstab	1 /
-	17.07.2020	P.ENGEL			
Gezeichnet	03.06.2020	J.Albisser	Massbild; Schematic draw; Liste de dim.	1 : 4	A2
			swiss lifting solutions	9520.9225.5	

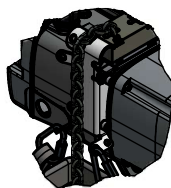
4

3

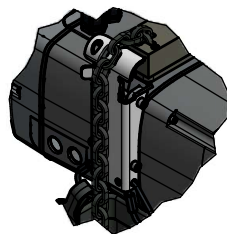
2

1

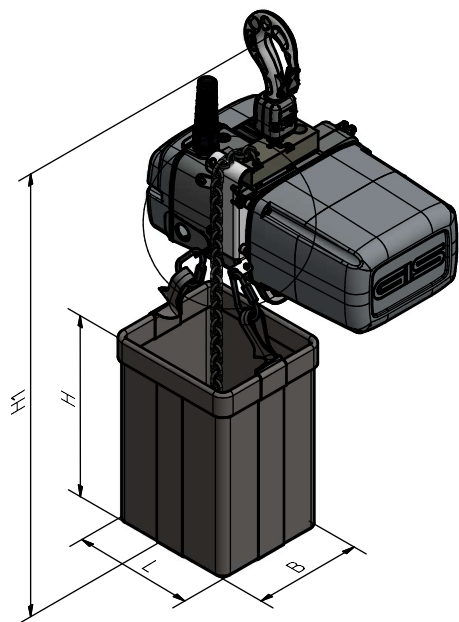
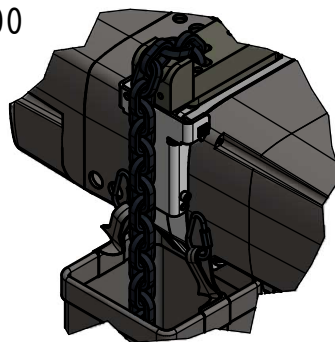
GP 250/500



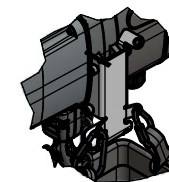
GP 1000



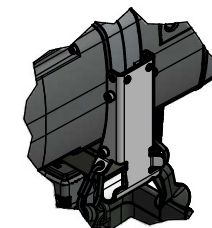
GP 1600/2500



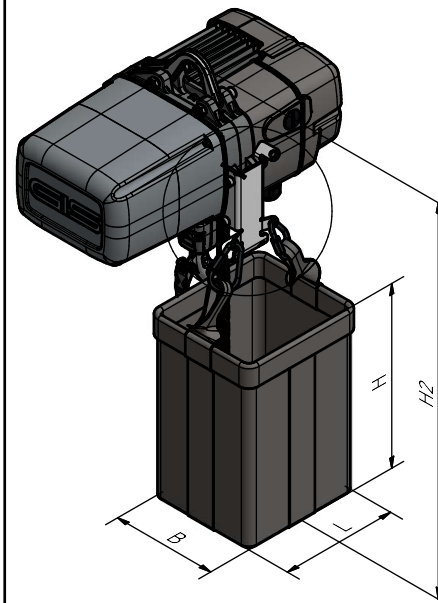
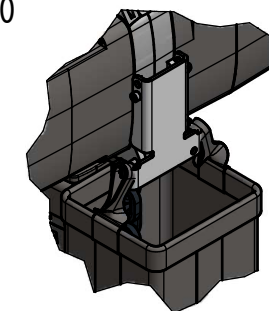
GP 250/500



GP 1000



GP 1600/2500



Grösse / Size	XS			S			M			L			XL		
L x B x H	212 x 192 x 320			212 x 192 x 420			212 x 192 x 590			212 x 192 x 880			212 x 192 x 940		
	Kapazität Capacity	H1	H2	Kapazität Capacity	H1	H2	Kapazität Capacity	H1	H2	Kapazität Capacity	H1	H2	Kapazität Capacity	H1	H2
GPM250	m	mm	mm	m	mm	mm	m	mm	mm	m	mm	mm	m	mm	mm
3.75 x 10.75	30	710	670	60	810	770	110	980	940	-	-	-	-	-	-
GP250/500															
3.75 x 10.75	40	800	720	60	900	800	120	1070	980	200	1360	1260	-	1410	1320
5.25 x 15	20	800	720	30	900	800	60	1070	980	100	1360	1260	120	1410	1320
GP1000															
7.45 x 23	10	830	760	20	930	860	30	1100	1030	50	1390	1320	55	1450	1380
GP1600/2500															
9.4 x 27.4	-	-	-	10	990	860	16	1160	1020	32	1450	1310	35	1510	1370
11.75 x 32.9	-	-	-	6	990	860	12	1160	1020	26	1450	1310	28	1510	1370

Best. Nr./ Order No.	XS	S	M	L	XL
GPM250	9500.3175.3	9500.3176.3	9500.3177.3	-	-
GP250/500	9510.3084.3	9510.3085.3	9510.3086.3	9510.3088.3	9510.3087.3
GP1000	9515.3108.3	9515.3109.3	9515.3110.3	9515.3111.3	9515.3112.3
GP1600/2500	-	9520.3109.3	9520.3110.3	9520.3111.3	9520.3112.3

Freigegeben			Klasse B		Ersetzt durch		Ersatz für	
Rev.	Datum	User	Massstab		1 /		A3	
D	25.11.2020	P.ENGEL	1:7.5		1 /		A3	
Gezeichnet	01.03.2017	C.Bisang	Massbild; Schematic draw		1 /		A3	

GIS swiss lifting solutions			9511.9218.5		D	
------------------------------------	--	--	-------------	--	---	--

4

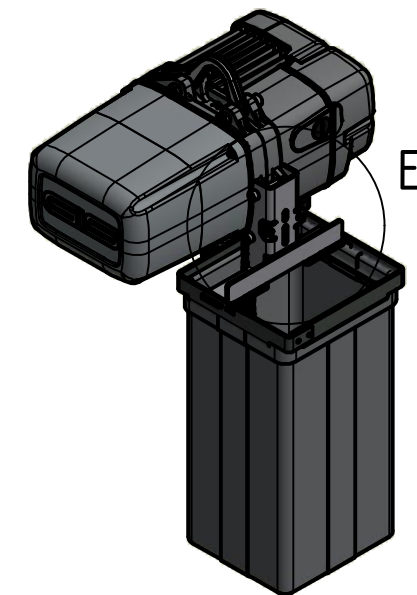
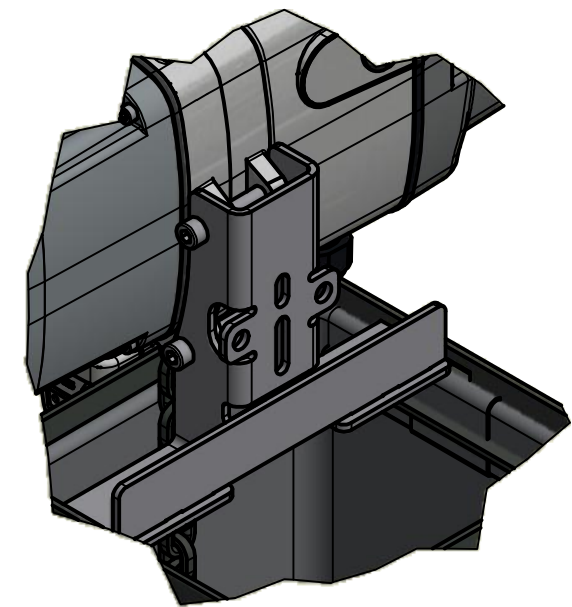
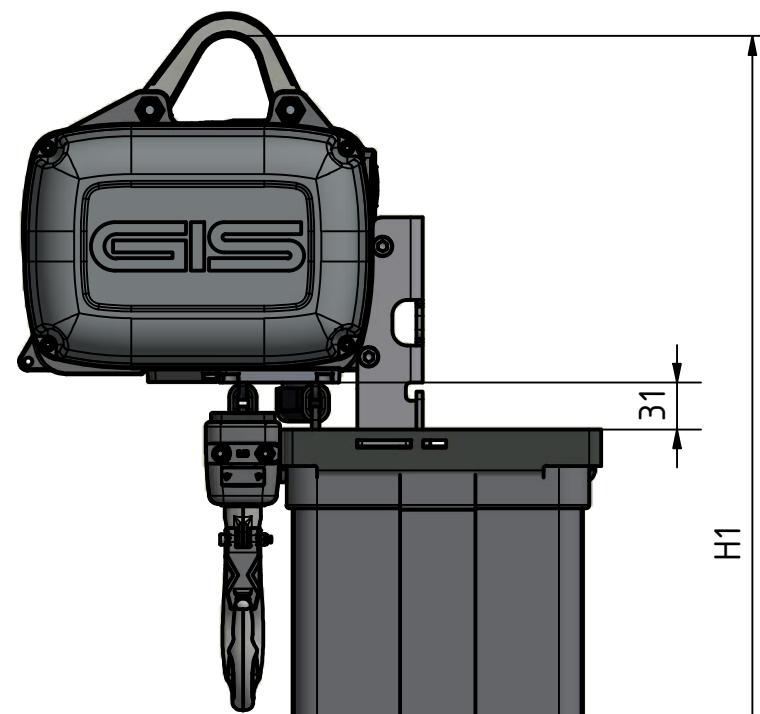
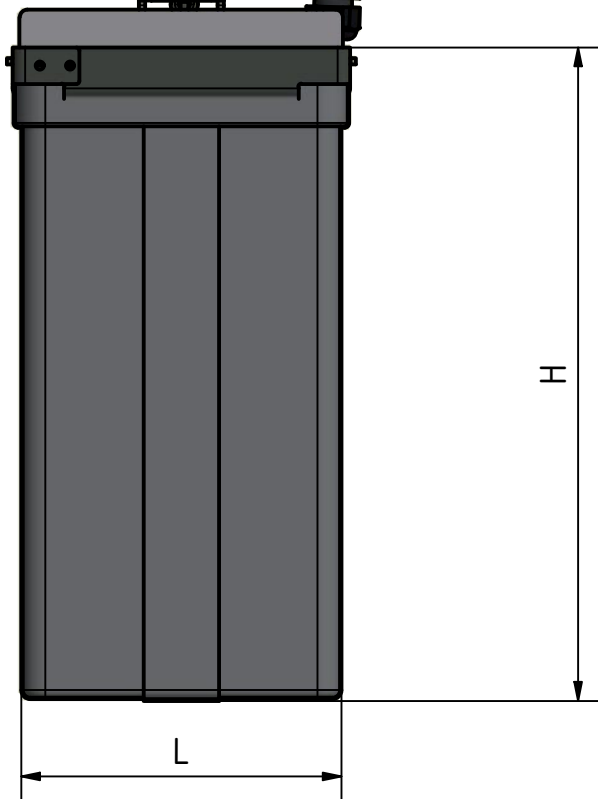
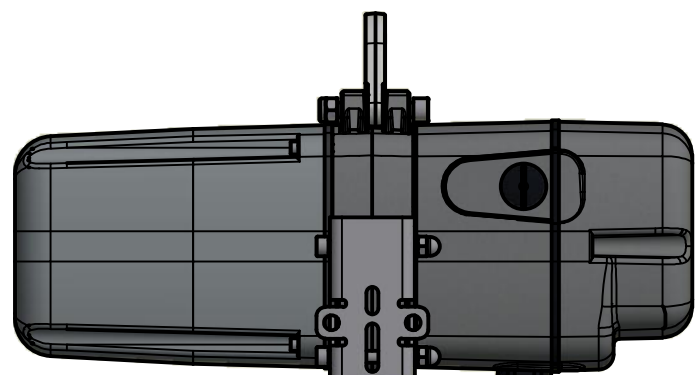
3

2


1

GP 250/500

E (1 : 3.5)



Ausführung: Textilkettenspeicher "BR"
 Execution: Textile chain bucket "MF"
 Execution: Boîte à chaîne textile "AM"

Grösse / Size L x B x H	XS		S		M		L		XL		Best. Nr./ Order No.	XS	S	M	L	XL				
	Kapazität Capacity	H1	Kapazität Capacity	H1	Kapazität Capacity	H1	Kapazität Capacity	H1	Kapazität Capacity	H1	GP250/500	9510.3141.4	9510.3142.4	9510.3143.4	9510.3144.4	9510.3145.4				
											GP1000	9515.3366.4	9515.3367.4	9515.3368.4	9515.3369.4	9515.3370.4				
GP250/500											Freigegeben		Klasse B		Ersetzt durch		Ersetzt für			
3.75 x 10.75	40	593	60	693	120	863	200	1153	-	1213	Rev. Datum User		Kettenspeicher; Chain bucket		Massstab		1 /			
5.25 x 15	20	593	30	693	60	863	100	1153	120	1213	B	25.11.2020	P.ENGEL	Massbild; Schematic draw		1:5		A3		
GP1000											Gezeichnet		13.11.2019		J.Albisser					
7.45 x 23	10	677	20	777	30	947	50	1237	55	1297			swiss lifting solutions		9511.9260.5		Revision B			