

ELECTRIC CHAIN HOIST GP FOR THE DISCERNING USER



POWERFUL
MODULAR
RELIABLE
DURABLE
ROBUST

60 % increased lifting capacity
in single fall operation

Powerful motor with low operating
temperature and cooling

Profile steel chain hardened,
with increased service life

Robust housing and cover
made of aluminum die casting

Protection class IP65 as standard,
and many more options available

Polygonal connections for quick
assembly and disassembly

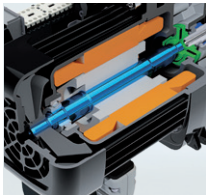
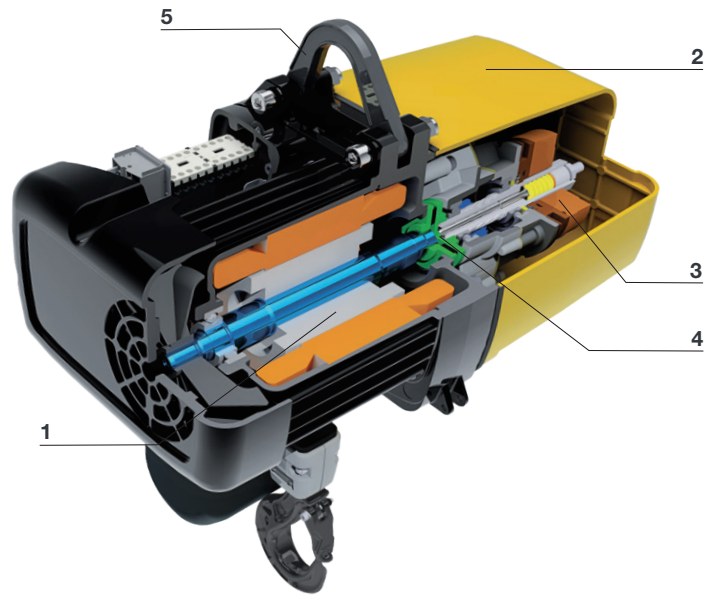


SWISSNESS
Swiss Design
Made in Switzerland
Since 1957

OUTSTANDING FEATURES

LIFTING CAPACITY UP TO 6300 KG

- 1 Powerful built-in motor
(60 °C in ISO M5/DIN EN 14492 A5)
- 2 Casing and cover made of aluminum,
modular and simple in its design
- 3 Reliable DC spring-loaded brake,
safe holding of the load
- 4 Dry running slipping clutch,
very low maintenance
- 5 Eyebolt suspension hinged,
easy installation



Motor

- Powerful built-in motor with power reserve
- Optimal cooling effect thanks to external cooling
- 3- or 1-phase operation



Transmission

- Smooth running
- 3-step gear with helical gearing
- Permanent lubrication
- Self-contained gearbox



Geared limit switch

- The upper and lower end position of the load hook can be set easily and precisely
- Optionally two additional emergency stop contacts available



Protection class IP65

- Dust proof
- Protected against water jets
- Best suited for outdoor operation and dusty environment



Control switch

- Ergonomic and impact-resistant
- Safe to operate
- 42 V low voltage control
- External strain relief protects control cable



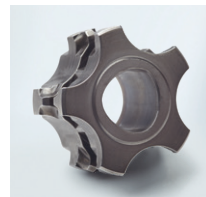
Profile steel chain

- Case hardened and manganese phosphated
- Less wear, increased lifetime
- Chain safety factor min. 8:1 (ISO M5/DIN EN 14492 A5)
- Corrosion resistance



Hooks

- Skeleton load and suspension hooks
- Hook safety catch fastened into position when closed



Polygonal connections

- All shaft-hub connections are built in a self-centering polygonal design
- Optimal power transmission
- Quick assembly and disassembly



Maintenance

- Easy to maintain
- Good accessibility of wearing parts
- Quick and simple replacement
- No special tools required



Special products

- Corrosion resistant
- Explosion proof
- Frequency inverter driven
- Handy chain and telescopic models
- Synchronised hoist
- Low headroom version