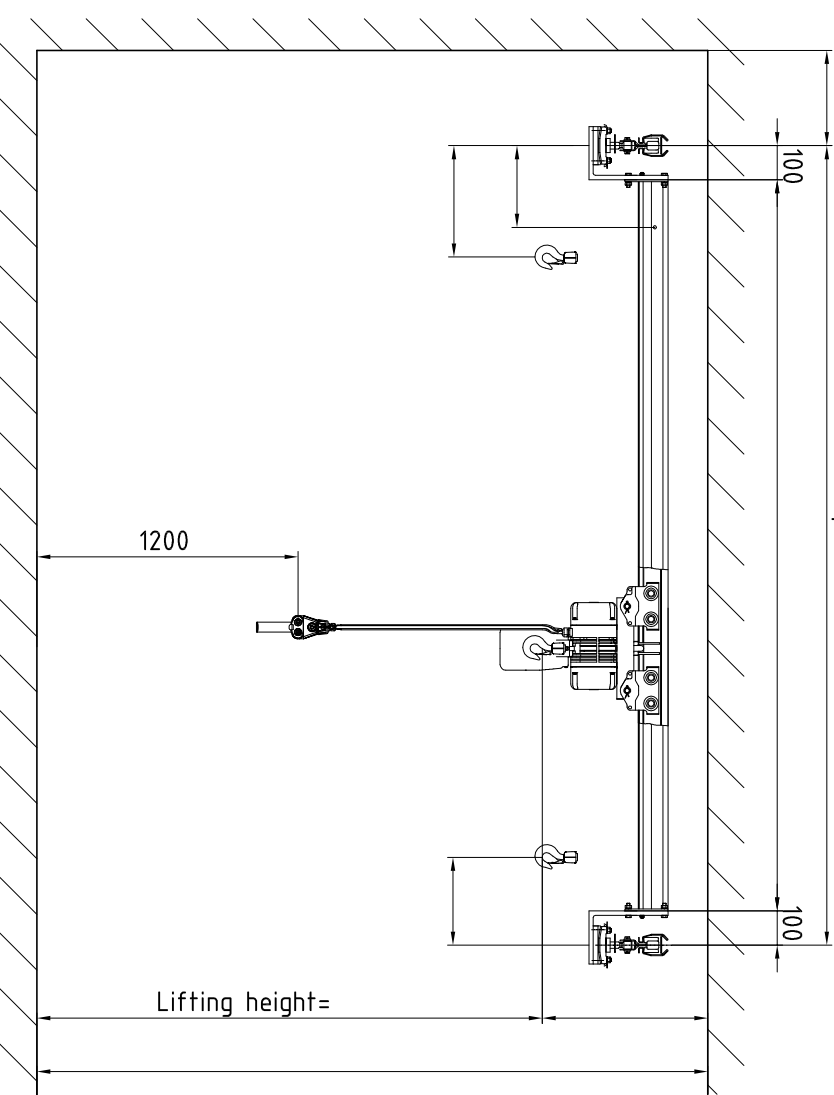


Piece(s) Suspension pendulating short min/max min. 80 - max. 216 mm	Piece(s) Suspension pendulating from rod L = mm	Piece(s) Suspension rigid min/max min. 80 - max. 216 mm	Piece(s) Bracing L = mm
---	---	---	----------------------------------

Load capacity [kg]:
 Lifting speed [m/min]:
 Crane bridge profile GISKB:
 Crane track profile GISKB:
 Power supply longitudinal:
 cross:

Hoist :
 Lifting height [m]:
 Trolley drive [m/min]:
 Crane drive [m/min]:



SUSPENDED-CRANE

	Hebe- und Fördertechnik	Hergestellt in %	Gezeichnet Dessiné Bearbeitet Modifié par Geprüft Contrôle	Index
	%	%	%	%